

# LITHIUM

LiFePO4

LITHIUM (LiFePO4) | High Performance

REF **BSLi-10**



12<sub>v</sub>

VOLTAGE

72<sub>Wh</sub>

ENERGY

360<sub>A</sub>

CCA - A (EN)

## TECHNOLOGY

- Lithium Iron Phosphate cells construction
- Pre-charged batteries
- Homologated by OEM

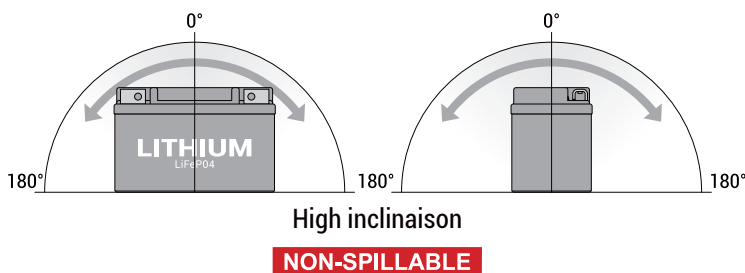
## FEATURES

- Fast charging
- Multi-positioning mounting
- Very safe and environmental friendly
- Extensive cycle life: over 2000 cycles
- Very low self-discharge
- Cold temperature performance
- Waterproof design
- Ready to use: just plug and play
- Robust brass terminals
- Heat resistance: up to 230 C°
- Lighter weight

## REPLACEMENTS

SLA	MF	DRY	DRY
BTX20L	BTX20L-BS	B50-N18L-A	51913
BTX20HL	BTX20HL-BS	B50-N18L-A2/	51814
BTX24HL	BTX24HL-BS	A3/AT	
SLA12-19	SLA12-19-BS		
51913			

## MOUNTING ANGLE

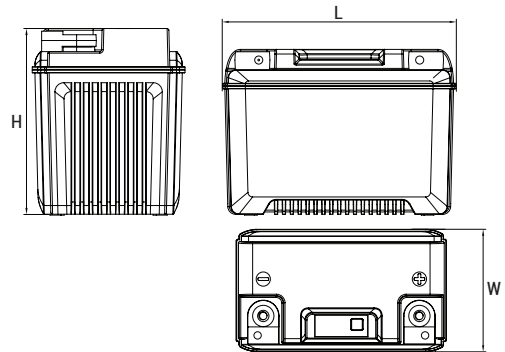


## OPERATING TEMP. RANGE

Charge temperature:	0°C to 45°C
Discharge temperature:	-20°C to 55°C
Storage temperature:	0°C to 30°C

## DIMENSIONS & WEIGHT

Length (L):	148mm ±1mm
Width (W):	86mm ±1mm
Height (H):	105mm ±2mm
Weight:	1.28kg (tolerance ±3%)



## TERMINALS (mm)

