

LITHIUM

LiFePO4

LITHIUM (LiFePO4) | High Performance

REF **BSLi-12**



12_v VOLTAGE

96_{Wh} ENERGY

440_A CCA - A (EN)

TECHNOLOGY

- Lithium Iron Phosphate cells construction
- Pre-charged batteries
- Homologated by OEM

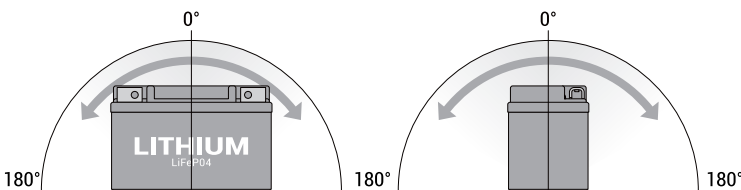
FEATURES

- Fast charging
- Multi-positioning mounting
- Very safe and environmental friendly
- Extensive cycle life: over 2000 cycles
- Very low self-discharge
- Cold temperature performance
- Waterproof design
- Ready to use: just plug and play
- Robust brass terminals
- Heat resistance: up to 230°C
- Lighter weight

REPLACEMENTS

SLA	MF	DRY	DRY
BIX30L	BIX30L-BS	BB30L-B	12N24-3A
BIX30HL		BB30CL-B	52515
		B60-N30L-A	53030

MOUNTING ANGLE



High inclinasion

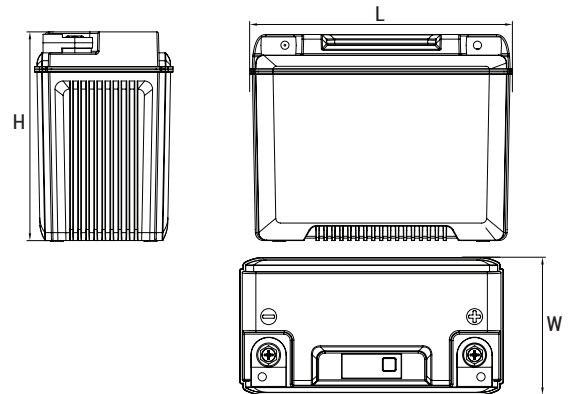
NON-SPILLABLE

OPERATING TEMP. RANGE

Charge temperature: 0°C to 45°C
 Discharge temperature: -20°C to 55°C
 Storage temperature: 0°C to 30°C

DIMENSIONS & WEIGHT

Length (L): 165mm ±1mm
 Width (W): 86mm ±1mm
 Height (H): 130mm ±2mm
 Weight: 1.60kg (tolerance ±3%)



TERMINALS (mm)

