



- Thank you for purchasing our product. Before installing/operating the product, please read the instructions carefully and retain them for future reference.

⚠ Attention!

- For installation, please follow the steps described. Any damage caused by wrong installation shall be imputed to the users.
- To avoid a short circuit from occurring do not pull or modify the wires during installation.
- Do not disassemble or change any parts. Opening and disassembling this unit will void any warranty.
- Maintenance and repairs should be executed by our professionals only.

◉ Symbol description:

NOTE

⚠ Some procedures must be followed to avoid damages to the instrument.

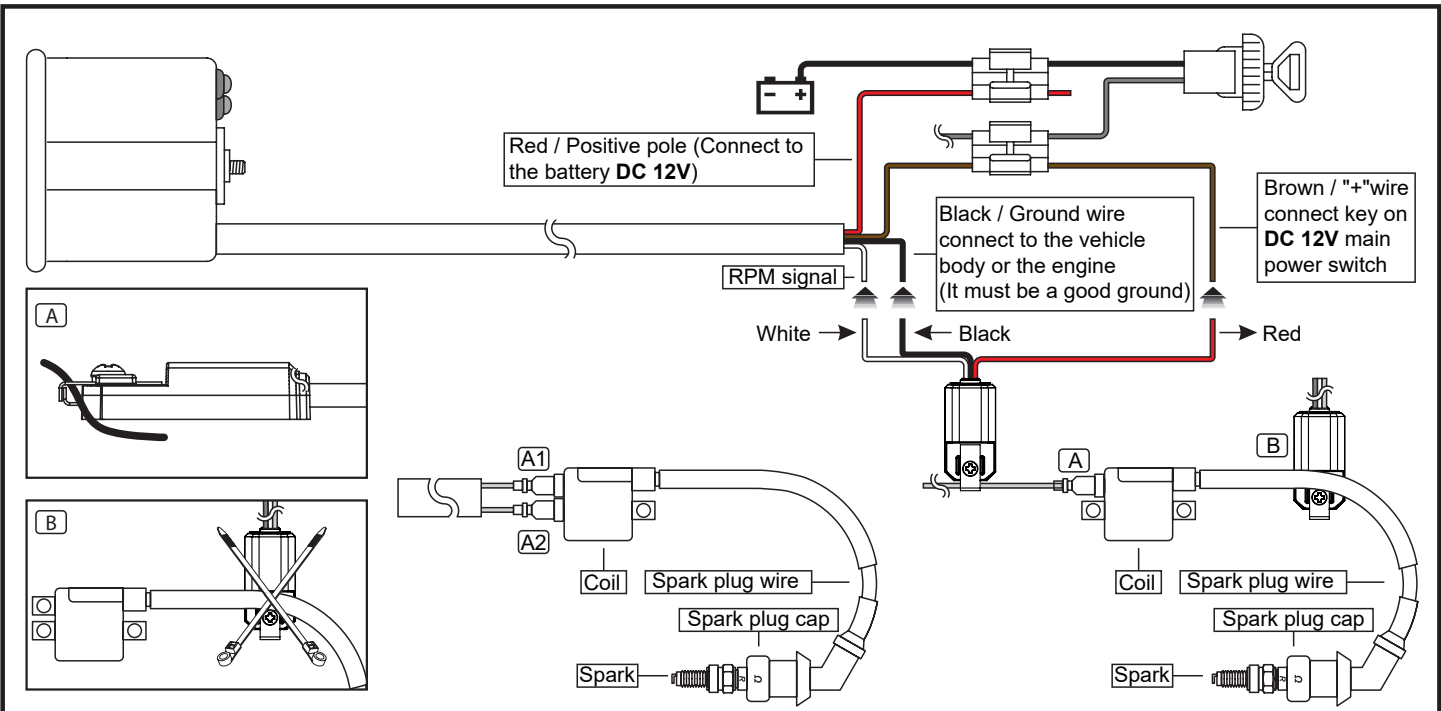
⚠ **WARNING!** Certain procedure must be followed to avoid damages to yourself, to the vehicle or others.

1 Accessory

1 Meter X1	2 Mid-way connect X3	3 Cable tie X2

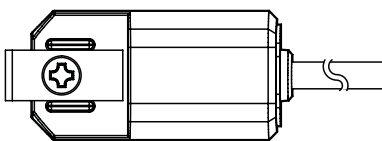
NOTE Please contact the local distributor if the items you open are not the same, with the above-listed one.

2 Wiring installation instructions



- ⚠ 1. Before installing the RPM signal adapter, please change the meter setting to "HI"
There are 2 positions to install the RPM signal adapter, please check the information below for your reference.
- A. The coil signal: Please loosen the screw on the RPM signal adapter and take the clip out. Then put the RPM sensor wire in the clip and then tighten the screw. (There are 2 poles on the coil, so please try both sides to see which pole will work. If you can't get the correct signal from the coil, please try the B method.)
- ※ **When install the RPM signal adapter on the coil, please keep the RPM signal adapter away from the coil to avoid noise.**
- B. The ignition cable : put the RPM signal adapter on the ignition cable and then use the cable tie to fix it.

3 Function, setting instruction



• Effective voltage	DC 12 V
• Effective temperature range	-10 ~ 60 °C
• Meter standard	JIS D 5601
• Meter size (W X L X H)	30 X 50 X 24 mm
• Meter weight	About 53g

NOTE Design and specifications are subject to change without notice!