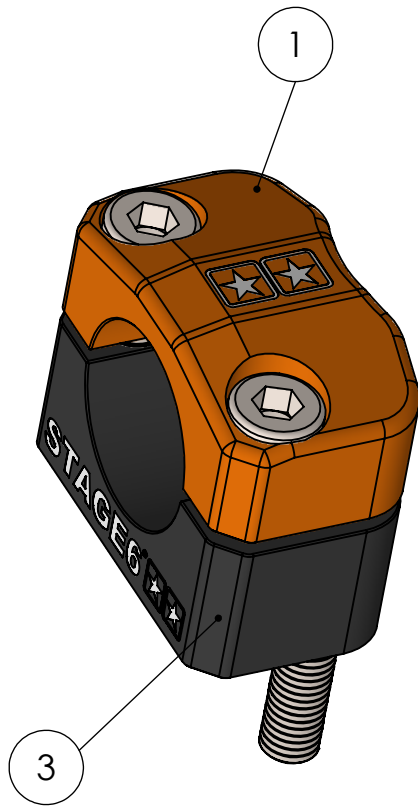
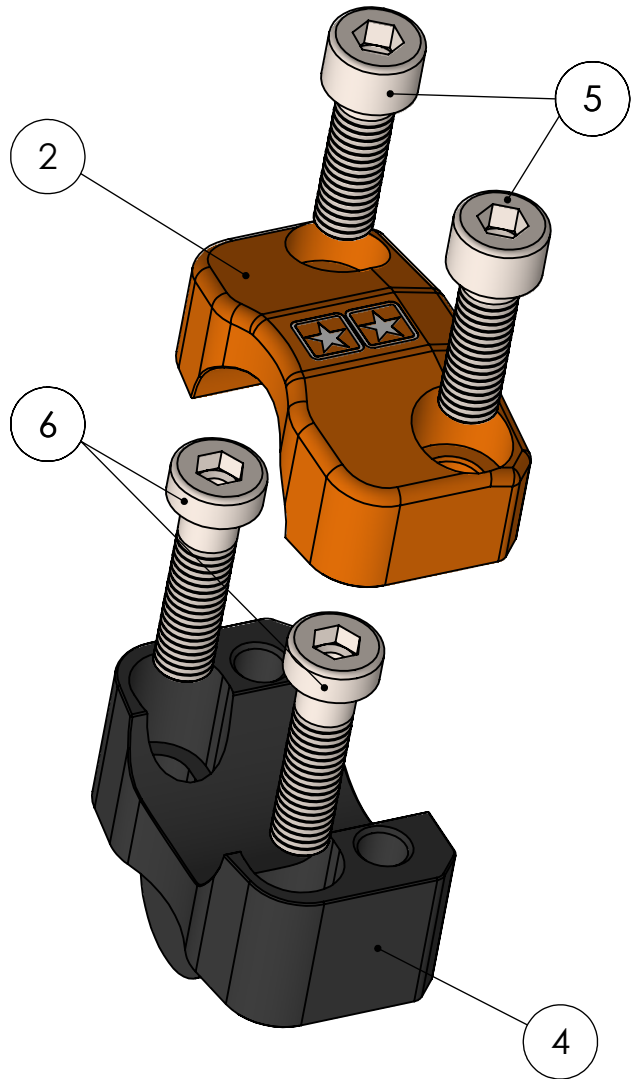


Left Hand Side  
(LH)



Right Hand Side  
(RH)



ITEM NO.	TYPE	DESCRIPTION	QTY.
1	Top cover LH	Colors: BK/BL/GR/OR/RE/YE anodized	1
2	Top cover RH	Colors: BK/BL/GR/OR/RE/YE anodized	1
3	Handlebar mount LH	Color: Black anodized	1
4	Handlebar mount RH	Color: Black anodized	1
5	DIN 912 M8 x 30	Torque to 19-23 Nm	4
6	DIN 7984 M8 x 30	Flat head, torque to 19-23 Nm	4

UNLESS OTHERWISE SPECIFIED:  
DIMENSIONS ARE IN MILLIMETERS  
SURFACE FINISH:  
TOLERANCES: ISO 2768  
LINEAR: f  
ANGULAR: f

FINISH:  
**anodized**

DEBURR AND  
BREAK SHARP  
EDGES:  
0,10 mm

DO NOT SCALE DRAWING

REVISION

**STAGE6** ★★

NAME	SIGNATURE	DATE
DRAWN D. Koch		29.06.22
CHK'D		
APPV'D		
MFG		
Q.A		

TITLE:  
**Handlebar mount  
28,6 mm**

MATERIAL:  
High strength alloy

SKU:  
**S6-196010/\*\***

A4

WEIGHT:

SCALE:1:1

SHEET 1 OF 1