

LITHIUM

LiFePO4

LITHIUM (LiFePO4) | High Performance

REF BSLi-02



12v VOLTAGE

24Wh ENERGY

140A CCA - A (EN)

TECHNOLOGY

- Lithium Iron Phosphate cells construction
- Pre-charged batteries
- Homologated by OEM

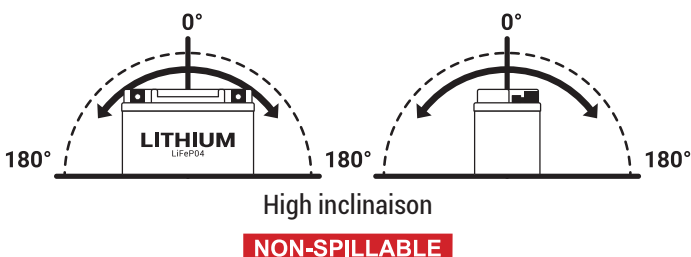
FEATURES

- Fast charging
- Multi-positionning mounting
- Very safe and environmental friendly
- Extensive cycle life: over 2000 cycles
- Very low self-discharge
- Cold temperature performance
- Waterproof design
- Ready to use: just plug and play
- Robust brass terminals
- Heat resistance: up to 230 C°
- Lighter weight

REPLACEMENTS

SLA	MF	MF	DRY
12N5.5-3B	BTX5L/BTZ6S	BTX4L-BS+/BTZ5S-BS	12N5.5-3B
BB4L-B	BTX7L	BTX5L-BS	BB4L-B
BB5L-B	BTZ7S	BTX7L-BS	BB5L-B
BB7C-A	BTZ7V	BTZ7S-BS	BB7C-A
BB7L-B2	BTZ8V		BB7L-B
BTX4L+/BTZ5S			BB7L-B2

MOUNTING ANGLE

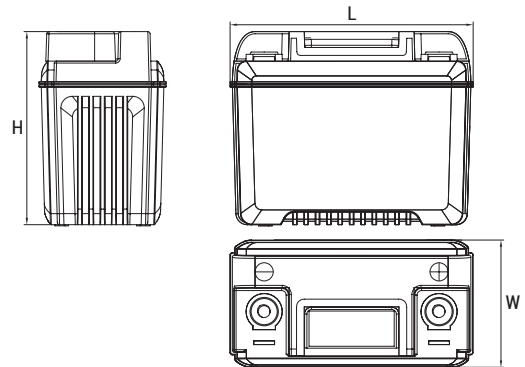


OPERATING TEMP. RANGE

Charge temperature:	0°C to 45°C
Discharge temperature:	-20°C to 55°C
Storage temperature:	0°C to 30°C

DIMENSIONS & WEIGHT

Length (L):	107mm ±1mm
Width (W):	56mm ±1mm
Height (H):	0.55kg (tolerance ±3%)



TERMINALS (mm)

