

MOTOPLASTIC, S.A.

Molí de la sal, 1 - 08403 Granollers (Barcelona) SPAIN

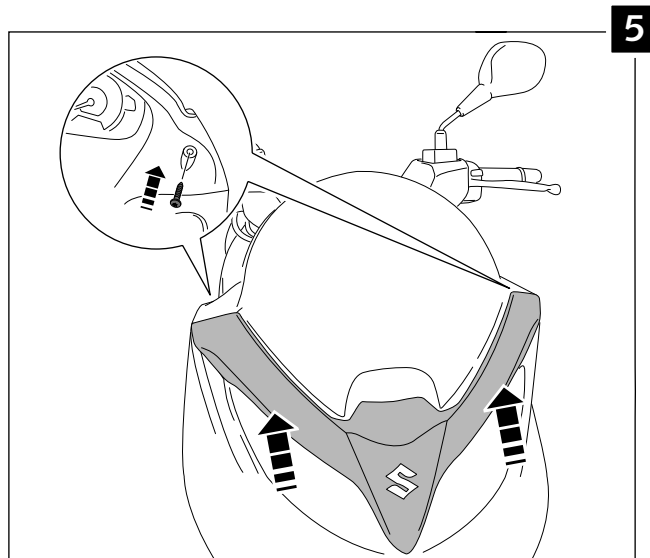
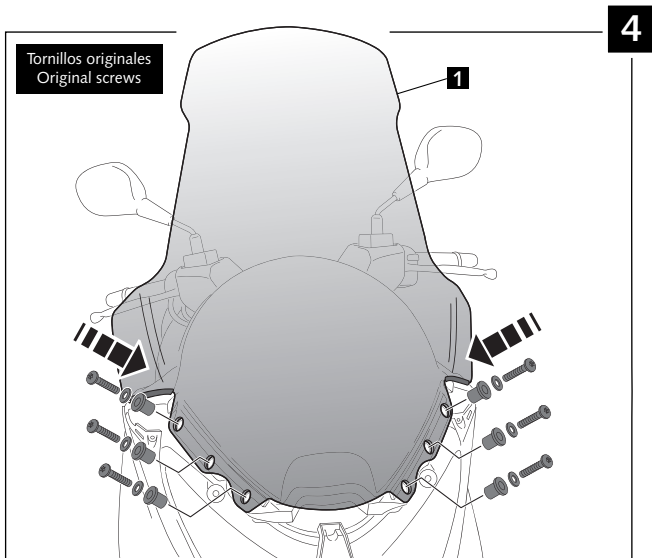
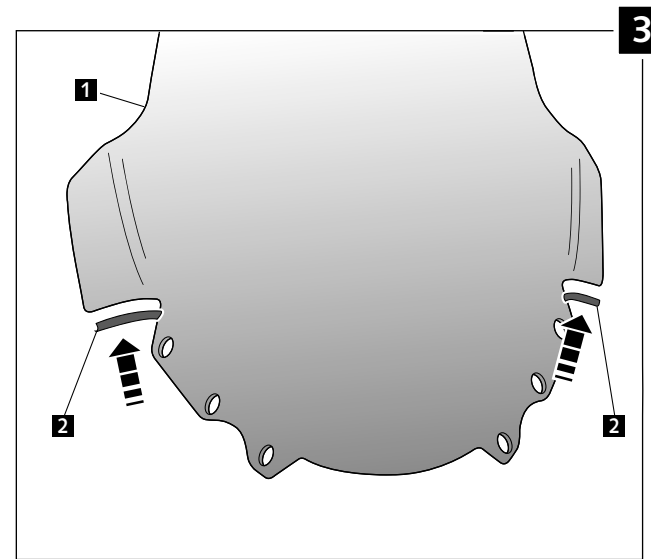
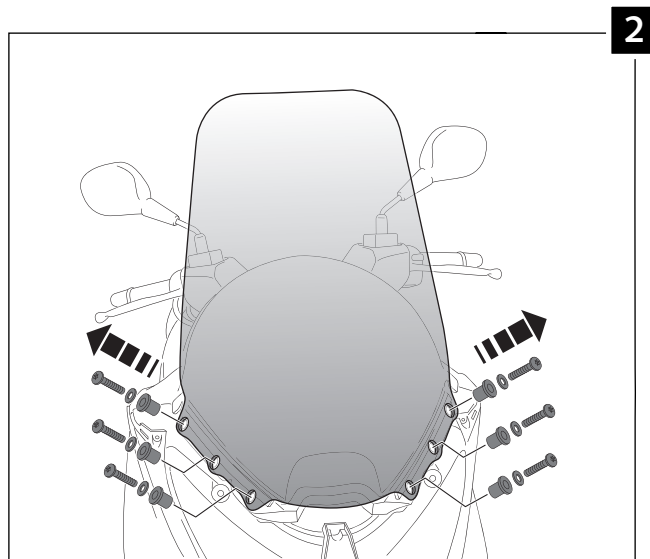
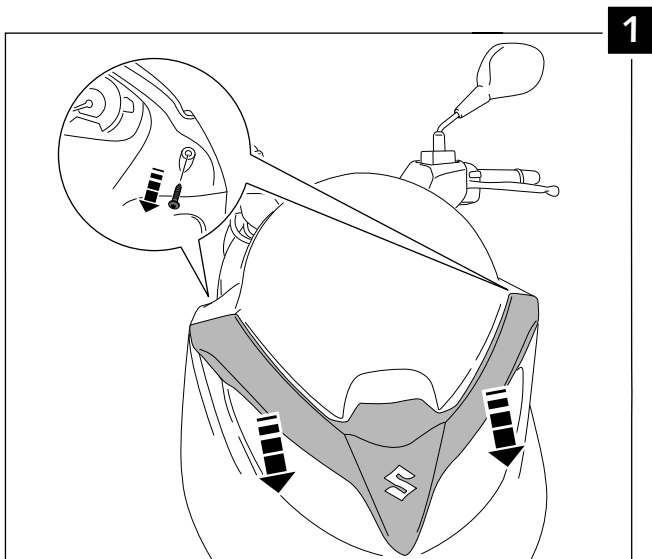
Tel. 34 93 849 06 33 - Fax 34 93 849 09 88

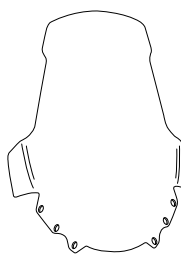

info@puig.tv - info@puigusa.com

www.puig.tv - www.puigusa.com

PANTALLA ADAPTABLE A - WINDSCREEN ADAPTABLE TO SUZUKI BURGMAN 125-200 '14

Ref.: 7019



ID.	DESCRIPCIÓN / DESCRIPTION	QTY.
1	 Pantalla Windscreen	1
2	 Ribete negro longitud 110mm, espesor 4mm. (se suministra montado) Black Trim length 110mm, 4mm thickness. (supplied already mounted)	2