

MOTOPLASTIC, S.A.

Molí de la sal, 1 - 08403 Granollers (Barcelona) SPAIN

Tel. 34 93 849 06 33 - Fax 34 93 849 09 88

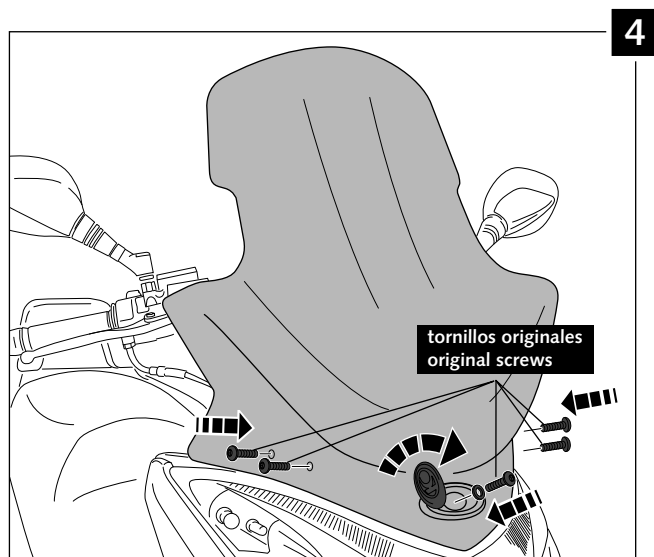
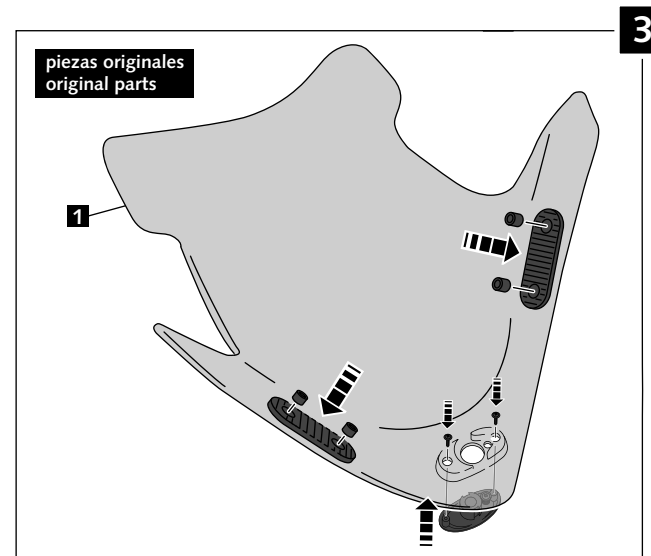
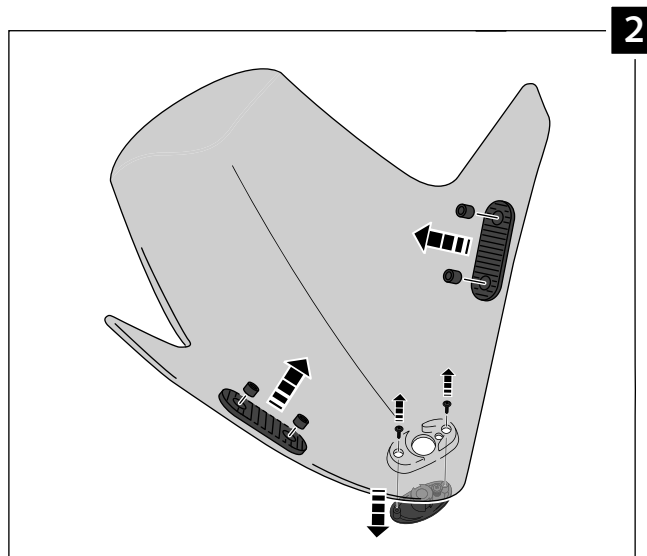
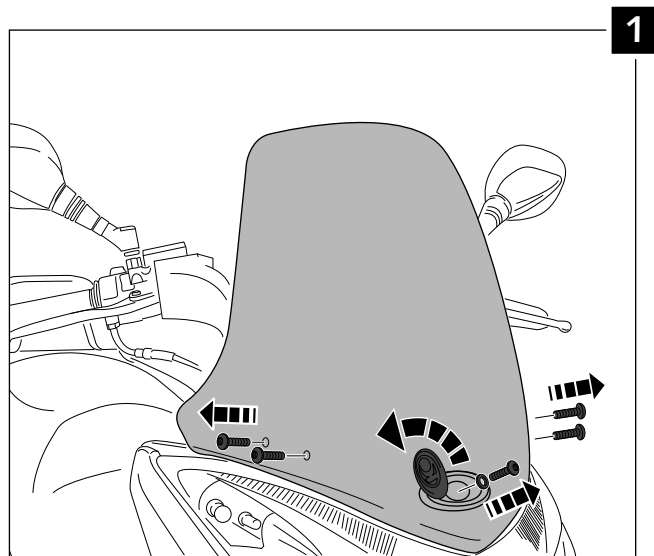
info@puig.tv - info@puigusa.com

www.puig.tv - www.puigusa.com

INSTRUCCIONES DE MONTAJE - MOUNTING INSTRUCTIONS - MONTAGEANLEITUNG

PANTALLA ADAPTABLE A - WINDSCREEN ADAPTABLE TO KYMCO G-DINK 50-125i-300i/ YAGER GT 125-300i

Ref.: 6728



ID.	DESCRIPCIÓN	DESCRIPTION	QTY.
1	Pantalla	Windscreen	1